

uni-cart



THE RIGHT CHOICE WHERE SPACE IS AT A PREMIUM

uni-cart masters the challenge of restricted space and difficult conditions. Optimum integration of small medical instruments enables the single-column cart to deliver the solution for flexible applications and fast mobile deployment. **uni-cart** offers lots of convenience with cabling routed in the support column. The stabilizers with individual adaptation of length offer a high level of stability.

This compact miracle in space can be used in a wide range of medical or medical-technical settings, e.g. in

- Physiotherapy
- Endoscopy
- Ultrasound diagnostics
- Anaesthesia





Ergometric application



Electrotherapeutic application



Application for hospital resuscitation



Arthroscopy application

Technical data

18

Ordering data **uni-cart**

20

THE IDEAL PLATFORM FOR YOUR SOLUTIONS



The support column permits concealed cable routing, including **socket strip**.



The **patented base design** from **uni-cart** facilitates space-saving adaptation of the platform work area in the 4-stabilizer and...



... in the 5-stabilizer variants to match the size of the instruments.



uni-cart is also supplied with **power or mechanical height adjustment** (by 300 mm).



The **swivel and tilt monitor holder** is ideal for monitors with VESA 75/100 adaptor and universal adaptor.



The **isolating transformer** is integrated between the stabilizers to save space and is covered by an additional shelf.

uni-cart impresses in every detail

Perfect functionality

- The length of the stabilizers can be matched to individual specifications to offer a high level of stability and flexibility.
 - ➔ The 4-stabilizer version delivers a secure solution for mounting all projecting system elements.
 - ➔ The 5-stabilizer version is ideal for centrally positioned payloads.
- The support column permits
 - ➔ mounting of e.g. infusion rod, or monitor holder,
 - ➔ the mounting option of system components on outer T-slots.
- Despite limited space, **uni-cart** provides an adequate platform and high tilt stability for payloads up to 65 kg / 143 lbs.

Safe power supply

- Socket strips can be easily integrated in the column.
- The support column offers
 - ➔ neat and concealed cable routing and
 - ➔ a cable grip for protecting inner cables which is integrated into the node point.

Consistent ergonomic design

- Integration of an optional mechanical or power height adjuster offers quickly and simply the desired work position (sit/stand workstation) at the touch of a button.
- Handles mounted at the front or rear and large castors (Ø 75 mm or 100 mm) guarantee optimum mobile characteristics.



THE MODULAR SYSTEM FOR INDIVIDUAL SOLUTIONS

The modular structure is the defining feature of the entire ITD product range. It allows all support systems to be configured, upgraded or modified for specialist functions and application areas. This capability allows users to react fast and consistently to any changes or new customer requirements.

The display presented alongside shows a small selection of system components and accessories for the **uni-cart** equipment carts. The entire accessories range with extensive descriptions and ordering information is presented in a user-friendly format from page 98.



Endoscope holder or infusion stand can be mounted in the support column or on the shelf.



A **single handle** can be fixed to the support column.



3

The **support column** is divided into a cable duct and T-slots (32 mm grid) for mounting, e.g. shelves.



4

The **shelf** is available in different versions, e.g. with handle.



5

Cabling to equipment is routed in the support column.



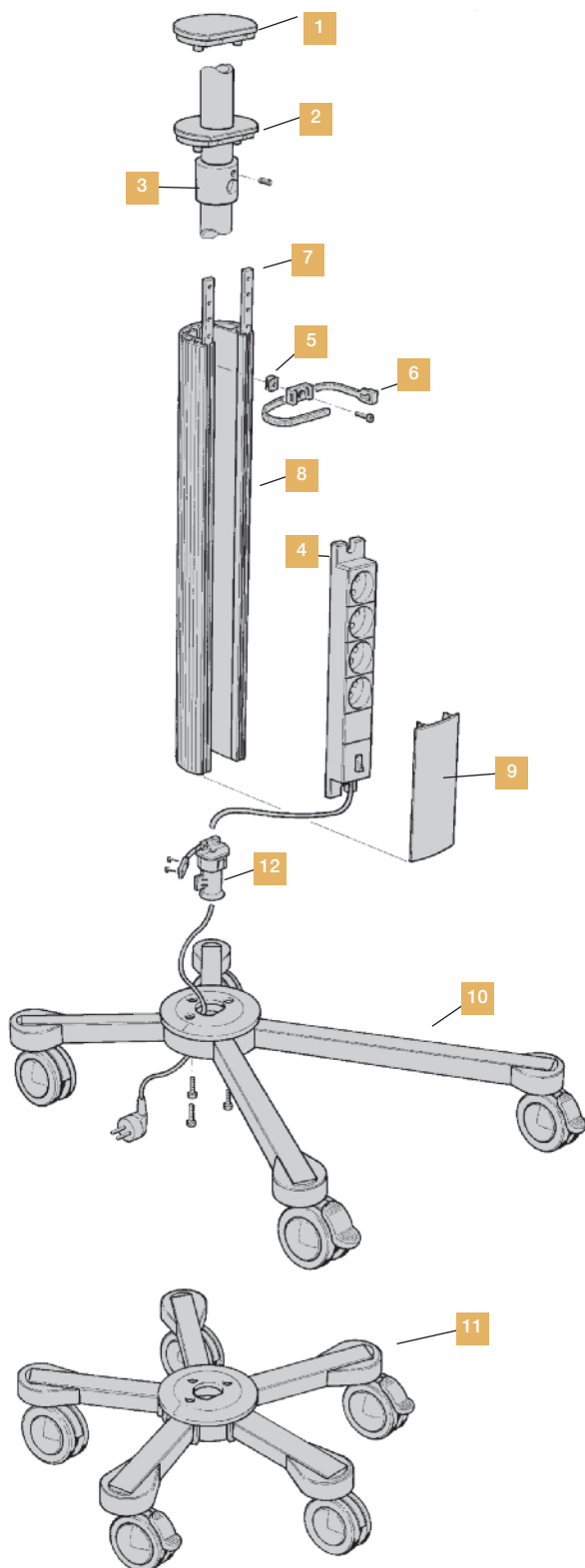
5

4

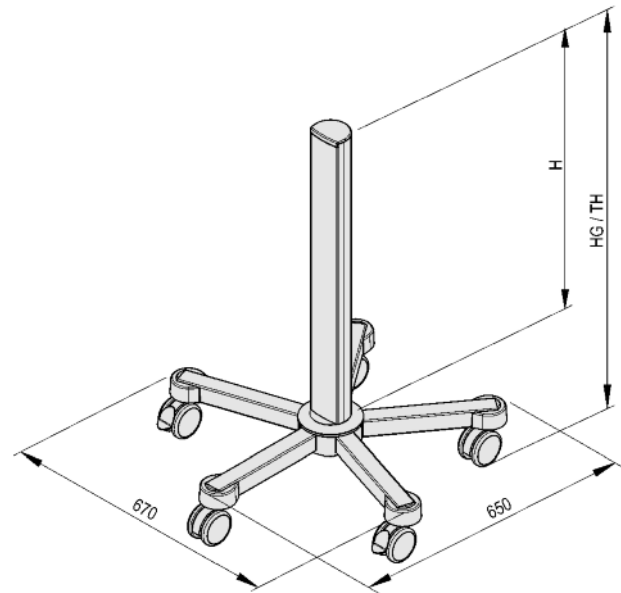
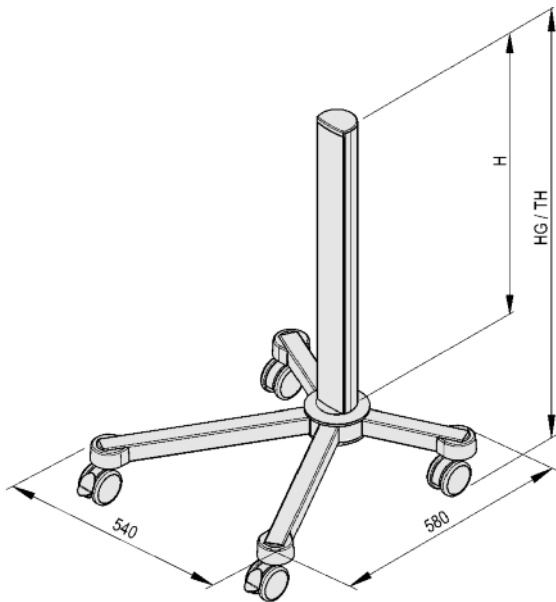
For an overview of system components and accessories, see page

26

DESIGN ELEMENTS AND DIMENSIONS



- 1** Cap made of plastic (ABS)
- 2** Cap made of plastic (ABS) with hole, used with accessories (e.g. suction systems, infusion stand, etc.)
- 3** Mounting for a bar (Ø 25 mm), e.g. from an infusion stand
- 4** Socket strip, variable mounting in the rear T-slot of the support column
- 5** Spring nut M5 or M6
- 6** Cable tie
- 7** Tapped strip (made of steel, zinc-plated), for mounting all system components on the support column (tapped hole M6 in increments of 32 mm)
- 8** Support column (made of extruded aluminium) powder-coated
- 9** Cover strip (made of plastic), for closing the installation space in the support column between the system elements
- 10** A base with 4 stabilisers (asymmetrically arranged, zinc-plated and powder coated), as well as a powder coated aluminium pressure die cast node point
- 11** A base with 5 stabilisers (symmetrically arranged, zinc plated and powder coated), as well as a powder coated aluminium pressure die cast node point
- 12** Strain relief (made of plastic)



Installation height H	Length of the extrusion H	TH for Castors Ø 75 mm	TH for Castors Ø 100 mm
21 U ¹⁾	680 mm	820 mm	857 mm
30 U ¹⁾	968 mm		1145 mm
35 U ¹⁾	1128 mm		1305 mm

Load capacity

- Basic frame total payload
 - Basic frame with 4 stabilizers 65 kg / 143.0 lbs
 - Basic frame with 5 stabilizers 50 kg / 110.0 lbs
- Shelf 10 kg / 22.0 lbs
- Drawer 3 kg / 6.6 lbs

Storage area

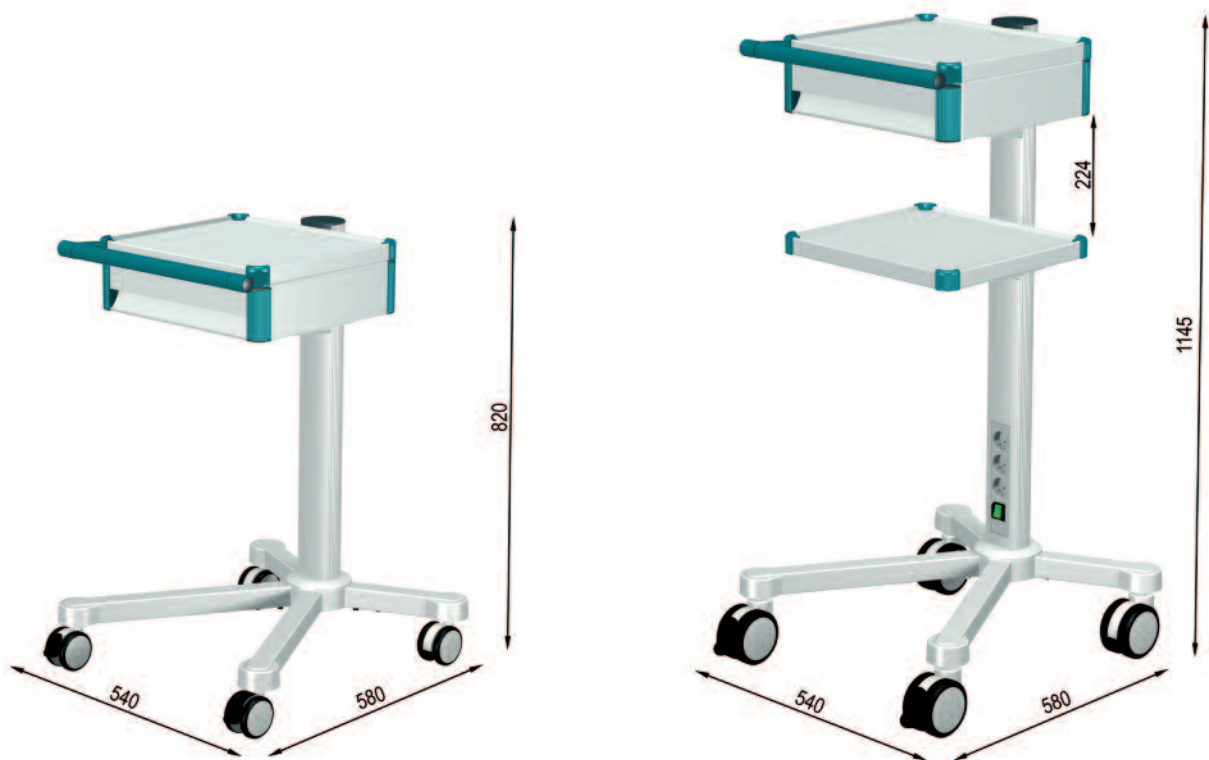
- Shelf W x D 400 mm x 360 mm
Other dimensions available on request.

Setup

- 1 base with 4 stabilizers (asymmetrical) or 5 stabilizers (symmetrical). Positive and friction fit instead of welding
- 4 twin swivel castors Ø 75 mm or Ø 100 mm, two with wheel locks. Castors with Ø 100 mm are also supplied in conductive version.
- 1 support column with two tapped strips (32 mm increments)
- Comprehensive range of system components and accessories for different applications
- Supplied partly assembled (optimal: supplied fully assembled)

¹⁾ 1 U = 32 mm

ORDER CONFIGURATIONS



uni-cart Type 1, 21 U ¹⁾

Order number RS.4801.XXX ²⁾

Basic frame 21 U¹⁾, with 4 stabilizers, fitted with:

- 4 twin swivel castors Ø 75 mm, 2 with wheel locks
- 1 block of drawers with handle, W 400 x D 360 mm
- 1 cover strip and cap
- 1 integrated cable strain relief

Load capacity: 65 kg / 143 lbs

Finish:

- RAL 7035 Light Grey powder-coated
- **Decorative trims and handles** see optionally ²⁾

uni-cart Type 2, 30 U ¹⁾

Order number RS.4111.XXX ²⁾

Basic frame 30 U¹⁾, with 4 stabilizers, fitted with

- 4 twin swivel castors Ø 100 mm, 2 with wheel locks
- 1 block of drawers with handle, W 400 x D 360 mm
- 1 shelf, W 400 x D 360 mm
- 1 socket strip 3-way, with on and off switch
- 1 cover strip and cap
- 1 integrated cable strain relief

Load capacity: 65 kg / 143 lbs

Finish:

- RAL 7035 Light Grey powder-coated
- **Decorative trims and handles** see optionally ²⁾

¹⁾ 1 U = 32 mm

²⁾ **Trim colour:** Make sure you replace .XXX with .901 = RAL 5021 Water Blue, .902 = RAL 5013 Cobalt Blue, .903 = RAL 7035 Light Grey



uni-cart Rollstand, 32 U¹⁾

Order number RS.4903.801

for Philips IntelliVue MP5-70

Basic frame 32 U¹⁾, with 5 stabilizers,
fitted with:

- 5 twin swivel castors Ø 100 mm,
2 with wheel locks
- 1 swivel and tilt Quickmount unit for
Philips IntelliVue MP5-70
- 1 handle
- 1 vertical holder for external rack
- 1 basket
- 1 cover strip and cap
- 1 integrated cable strain relief

Load capacity: 50 kg / 110 lbs

Finish:

- RAL 7035 Light Grey powder-coated
- **Decorative trims and handles:** Medium Aqua Accent

¹⁾ 1 U = 32 mm

ORDER CONFIGURATIONS



uni-cart power height adjuster, 35 U¹⁾

Order number RS.4145.XXX²⁾ (with 230 V Input voltage)

Order number RS.4146.XXX²⁾ (with 110 V Input voltage)

Basic frame 35 U¹⁾, with 4 stabilizers, fitted with:

- 4 twin swivel castors Ø 100 mm, 2 with wheel locks
- 1 power height adjuster with power pack (input: 110 V / 230 V and 50 / 60 Hz)
- 1 remote control for the height adjuster
- 1 monitor mounting VESA 75 / 100 to 14 kg / 30.8 lbs monitor weight
- 1 keyboard holder with pullout mousepad right / left
- 1 EURO socket strip, 3-way, with on and off switch
- 1 handle rear
- 1 computer holder
- 1 connecting cable earthed, length 5 m
- 1 integrated cable strain relief
- 1 cable winder

Load capacity: 65 kg / 143 lbs

Payload (height adjustment): up to 20 kg / 44 lbs

Finish:

- RAL 7035 Light Grey powder-coated
- **Handle** see optionally²⁾

¹⁾ 1 U = 32 mm

²⁾ **Trim colour:** Make sure you replace .XXX with .901 = RAL 5021 Water Blue, .902 = RAL 5013 Cobalt Blue, .903 = RAL 7035 Light Grey



uni-cart power height adjuster, 35 U¹⁾

Order number RS.4147.XXX²⁾ (with 230 V Input voltage)

Order number RS.4148.XXX²⁾ (with 110 V Input voltage)

Basic frame 35 U¹⁾, with 4 stabilizers,
fitted with:

- 4 twin swivel castors Ø 100 mm,
2 with wheel locks
- 1 power height adjuster with power pack
(input: 110 V / 230 V and 50 / 60 Hz)
- 1 remote control for the height adjuster
- 1 monitor mounting VESA 75 / 100
to 14 kg / 30.8 lbs monitor weight
- 1 keyboard holder with pullout mousepad
right / left
- 1 handle rear
- 1 connecting cable earthed, length 5 m
- 1 integrated cable strain relief
- 1 cable winder

Load capacity: 65 kg / 143 lbs

Payload (height adjustment): up to 20 kg / 44 lbs

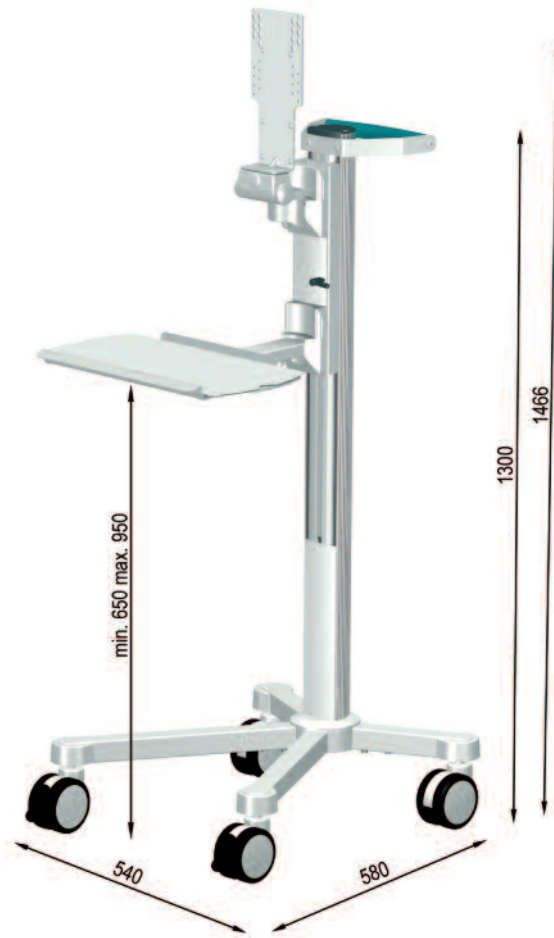
Finish:

- RAL 7035 Light Grey powder-coated
- **Handle** see optionally²⁾

¹⁾ 1 U = 32 mm

²⁾ **Trim colour:** Make sure you replace .XXX with .901 = RAL 5021 Water Blue, .902 = RAL 5013 Cobalt Blue, .903 = RAL 7035 Light Grey

ORDER CONFIGURATIONS



uni-cart mechanical height adjuster, 35 U ¹⁾

Order number RS.4910.XXX ²⁾ (Payload: 3 kg / 6.6 lbs to 10 kg / 22 lbs)

Order number RS.4911.XXX ²⁾ (Payload: 10 kg / 22 lbs to 16 kg / 35.2 lbs)

Basic frame 35 U¹⁾, with 4 stabilizers,
fitted with:

- 4 twin swivel castors with Ø 100 mm, 2 lockable castors
- 1 mechanical height adjuster
- 1 monitor mount with VESA 75 / 100 up to 14 kg / 30.8 lbs monitor weight
- 1 keyboard holder with pull-out mousepad (right / left)
- 1 handle, rear
- 1 integrated cable strain relief
- For mounting flat screen and keyboard. (height adjustable as a unit, can be fixed in place with a clamp lever mounted as an attachment)
- Deployable as sit/stand workstation (by 300 mm)
- Optimum position of the keyboard to the screen
- Payload (height adjustment): up to 16 kg

Load capacity: 65 kg / 143 lbs

Finish:

- RAL 7035 Light Grey powder-coated
- **Handle** see optionally ²⁾

¹⁾ 1 U = 32 mm

²⁾ **Trim colour:** Make sure you replace .XXX with .901 = RAL 5021 Water Blue, .902 = RAL 5013 Cobalt Blue, .903 = RAL 7035 Light Grey



uni-cart with mechanical height adjuster and laptop holder, 35 U ¹⁾

Order number RS.4907.991 (Payload: 3 kg / 6.6 lbs to 10 kg / 22 lbs)

Basic frame 35 U¹⁾, with 4 stabilizers, fitted with:

- 4 twin swivel castors with Ø 100 mm, 2 lockable castors
- 1 mechanical height adjuster
- 1 laptop holder
- 1 integrated cable strain relief
- For receiving standard laptops (proper attachment via mounted clamp levers).
- Deployable as sit/stand workstation (by 300 mm)
- Payload (height adjustment): up to 10 kg / 22 lbs

Load capacity: 65 kg / 143 lbs

Finish:

- RAL 7035 Light Grey powder coated

¹⁾ 1 U = 32 mm

OVERVIEW

SYSTEM COMPONENTS AND ACCESSORIES

Basic frames	4 stabilizers	21 U: RS.4008.991 30 U: RS.4011.991 35 U: RS.4027.991
	5 stabilizers	21 U: RS.5008.991 30 U: RS.5011.991 35 U: RS.5024.991
Castor conversion kit	Ø 100 mm, instead of standard Ø 75 mm	4-part Set: ZV.9920.999 5-part Set: ZV.9926.999
	Ø 100 mm, conductive, instead of standard Ø 75 mm	4-part Set: ZV.9921.999 5-part Set: ZV.9927.999
	Ø 100 mm, conductive, instead of standard Ø 100 mm	4-part Set: ZV.9922.999 5-part Set: ZV.9929.999
Shelf	without handle	RS.4360.XXX ¹⁾
	with handle	RS.4361.XXX ¹⁾
	with mousepad	RS.4370.XXX ¹⁾
	with handle and mousepad	RS.4372.XXX ¹⁾
Rack base	installation depth 400 mm, width 450 mm	RS.0143.991
Monitor holder	with VESA 75 / 100 adaptor up to 8 kg / 17.6 lbs	RS.0296.991
	with VESA 75 / 100 adaptor up to 14 kg / 30.8 lbs, universal	RS.0386.991
	with VESA 75 / 100 adaptor up to 14 kg / 30.8 lbs, adjustable	RS.0325.991
	with universal adapter to accommodate specific adapter panels	RS.0109.800
Monitor mounting	for Sony monitors up to 14 kg / 30.8 lbs	TS.0560.991
Block of drawers	without handle	RS.4363.XXX ¹⁾
	with handle	RS.4364.XXX ¹⁾
	with mousepad	RS.4369.XXX ¹⁾
	with handle and mousepad	RS.4368.XXX ¹⁾
Basket	storage basket tapered, 305 x 205 mm, assembly in the front T-slots	ZV.9967.800
	storage basket tapered, 305 x 205 mm, assembly at the rear	ZV.9989.991
	stainless steel basket, 403 x 200 mm, assembly in the front T-slots	ZV.9893.999
	storage basket tapered, 305 x 93 mm, assembly in the front T-slots	ZV.9892.991
Endoscope holder	for assembly on 2 shelves	<i>single</i> GW.0394.991 <i>double</i> GW.0473.991
	for assembly in the support column	RS.0115.800
Drain glass		ZV.9963.999
Connector holder		ZV.9833.999
Hose holder		GW.9882.999
Rinsing bottle holder		GW.9805.999
Camera holder	assembly at the side on the shelf	GW.9990.999
	with clamp	GW.9983.991
	with mounting	GW.9808.991
Gas bottle holders	for gas bottles with max. 2 l content	GW.0466.991
	for gas bottles with max. 2 l content	RS.0110.991
	for gas bottles with Ø 145 mm, 3 l / 5 l / 10 l content	RS.0111.991

¹⁾ **Trim colour:** Make sure you replace **.XXX** with **.901** = RAL 5021 Water Blue, **.902** = RAL 5013 Cobalt Blue, **.903** = RAL 7035 Light Grey

Gel bottle holder			GW.0800.991
Computer holder	up to 5 kg / 11 lbs		TS.6144.991
	up to 20 kg / 44 lbs		TS.6146.991
Laptop holder	with mousepad		TS.6301.991
	lockable		RS.4388.XXX ¹⁾
Power pack holder	universal, small		TS.0524.991
	universal, large		TS.0574.991
Infusion stand	4-arm with one hand-adjustment		ZV.9881.800
Standard runner	for mounting at the front on the column	Length 390 mm	RS.0076.991
		Length 162 mm	RS.0132.991
Anchor			ZV.9820.799
Holder for suction system	Strässle		RS.0318.991
Foot switch cradle	on the support column	mounting depth 47 mm	ZV.9991.991
Holder for transducer			RS.0131.991
Box holder	"Dracula", for single-use glove boxes		ZV.9832.999
Pivot arm	single, with VESA 75 / 100 adaptation for flat screen		TS.6314.991
	double, with VESA 75 / 100 adaptation for flat screen		TS.6315.991
Variable height arm	length 400 mm, with VESA 75 adaptation for flat screen		ZV.9538.999
Jointed arm	with hose clamps, for cable management		ZV.9955.799
Handles	radiused, assembly in the front T-slots of the support column		RS.0160.XXX ¹⁾
Socket strips	3-way socket strip		ZV.9844.991
	3-way, Swiss standard		ZV.9848.991
	3-way, British standard		ZV.9758.991
Plug removal barrier	for 3-way earthed		GW.0632.991
Cable winder			RS.0267.991
Isolating transformer	660 VA		ZV.9412.999

¹⁾ **Trim colour:** Make sure you replace .XXX with .901 = RAL 5021 Water Blue, .902 = RAL 5013 Cobalt Blue, .903 = RAL 7035 Light Grey

You will find a comprehensive description and ordering information on all components suitable for **uni-cart** in the **system components and accessories** section.

System components and accessories from page 98

Order number index from page 188