

compact-cart

THE NEWLY DESIGNED CLASSIC

The compact-cart is a twin-column equipment cart with a total load of up to 180 kg / 396 lbs. There are three different installation widths of 450 mm, 500 mm and the maximum of 650 mm. An installation height of 40 U (1280 mm) and newly designed cable management together provide a variety of design options for compact storage and cabling of your equipment. Monitors weighing up to 18 kg / 39.6 lbs can be installed on monitor crossbeams or monitor shelves. In addition, compact-cart allows you the possibility to integrate a high-performance isolation transformer (up to 2000 VA) below the base.



compact-cart

THE COMPACT CART WITH A SPECIAL MISSION



compact-cart

compact-cart offers an amount of work area in a particularly compact design. The low centre of gravity and the projecting castors provide outstanding tilt stability. The choice between the two basic frames "Economy" – for small cable volumes – and the outstanding "Profi" version with expanded routing capacity and optional isolating transformer make compact-cart an all-rounder in a number of areas such as endoscopy or ultrasound diagnostics.



compact-cart
Application for use measuring
technical data of dialysis equipment



compact-cart
Arthroscopy application



compact-cart
Arthroscopy application



compact-cart
Ultrasound application

compact-cart

compact-cart – THE HIGHLIGHTS AT A GLANCE

Possibilities for extensive variations

- Base widths of 450 mm, 500 mm and 650 mm along with mounting heights of up to 40 units provide for a high degree of variation. Rear doors provide protection against access and even easier mounting possibilities. A rich selection of components and mounting options for accessories, monitor mounts and holders offer solutions for various requirements.

Efficient ergonomics

- compact-cart can be pushed, pulled or just aligned using the options of handles at the front or on the side of the shelves, behind the power columns or large round handles at the front of the vertical extrusions.

Hygienic

- Smooth surfaces and enclosed cable routing provide ideal cleaning conditions.
- The hygiene of all ITD products is validated with the certificate of the German Society for Hospital Hygiene (DGKH).

Powerful character

- Large areas of space and a high load capacity are provided through compact construction and exceptional design without the loss of elegance.

Smart cable management

- There is enough space in the large rear ducts of the power columns for: socket strips, POAG connectors and lengths of cable. Data cables can be fed through a separate duct at the front. All the ducts are entirely covered by rubber lips or optional cover strips. The rubber lips allow the cables to be led in or out at any height on the extrusion.

Safe power supply

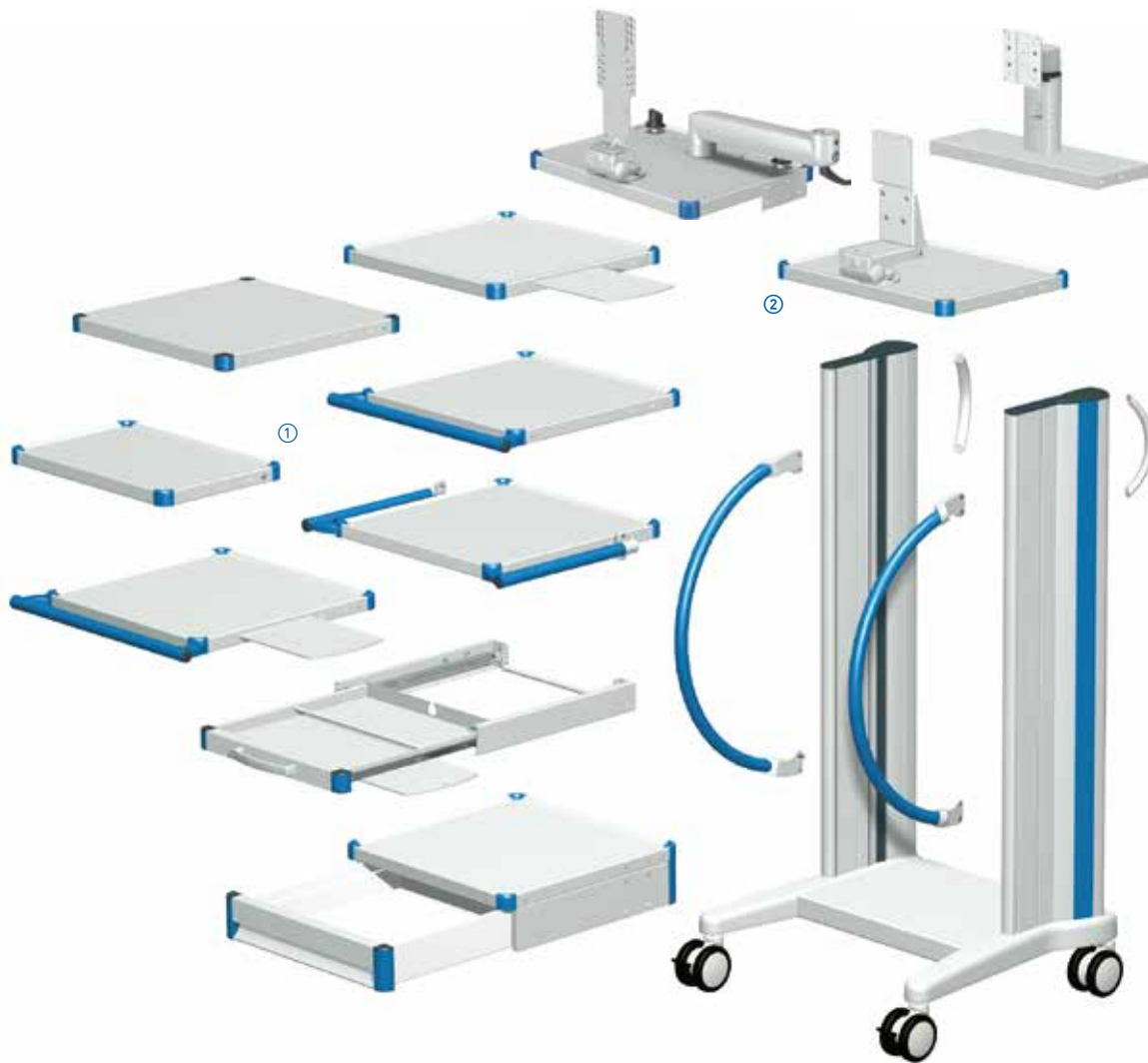
- Isolating transformers of up to 2000 VA with optional insulation monitors offer the possibility of the reduction of high leakage. The mounting position of the isolating transformer at the base helps to maximum the use of space and increase stability without compromising the design.
- Country-specific sockets are mounted in the vertical extrusions of the compact-cart and maximise the use of space and are virtually invisible.



compact-cart

MODULARITY FOR NUMEROUS CONFIGURATION OPTIONS

The modular structure is the defining feature of the compact-cart two-column equipment carts and the entire ITD product range, which allows all support systems to be configured, customised, upgraded or easily modified for special functions and application areas using the extensive standard range. This capability allows users to react fast and consistently to any changes or new customer requirements. The T-slots on the vertical extrusion or special devices ensure easy assembly of the components. The display presented alongside shows a small selection of accessories for the compact-cart equipment carts.



compact-cart



Shelves are supplied in different versions and the continuous raised edge offers your valuable equipment a secure hold.



compact-cart can accommodate several types of monitors on its monitor shelf or on a crossbeam.

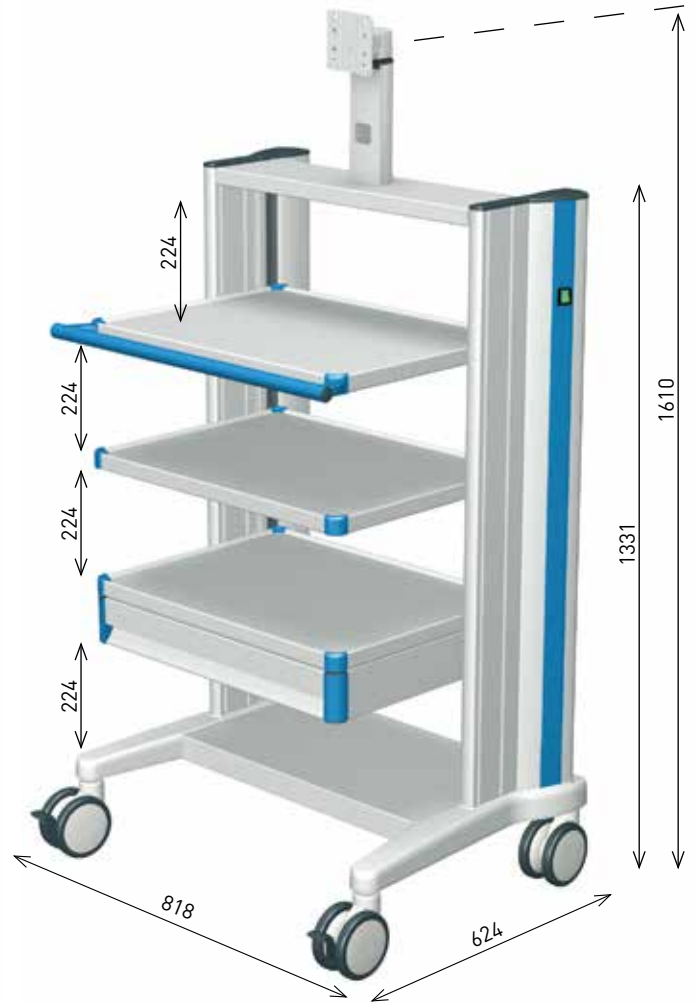
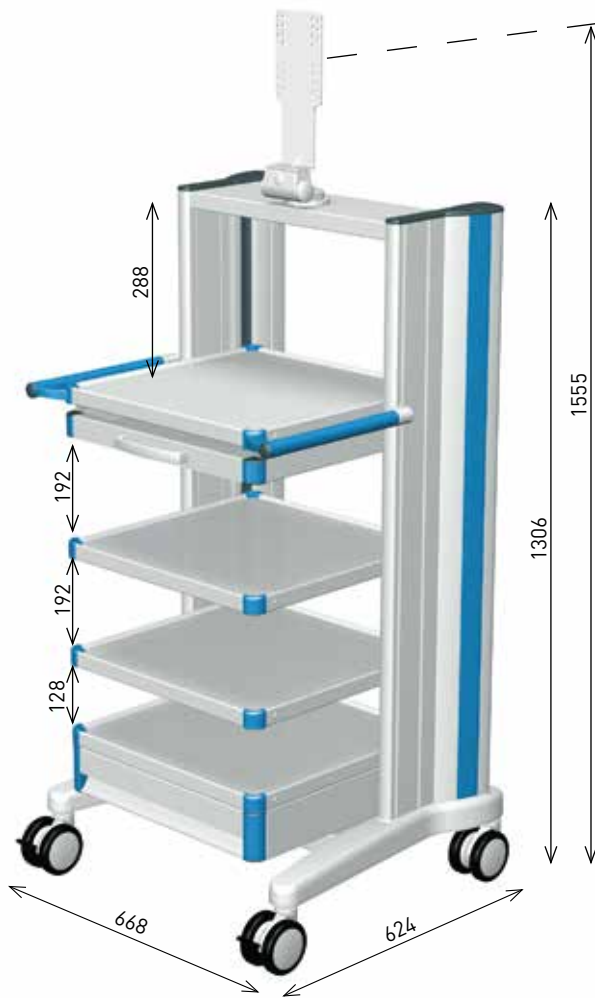


Variable height support arms (with or without a swivel arm) can be attached by means of a monitor shelf, or else fastened directly to the power column.



Powerful isolating transformers (up to 2000 VA) reduce the maximum discharge current and can be safely incorporated in the equipment cart base.

ORDER CONFIGURATIONS



compact-cart

compact-cart video cart

Item number:

Installation width W 500 mm CC.5080.XXX¹⁾

Equipment cart, 35 U (Total height: 1306 mm), fitted with:

- 1 basic frame „Profi“ with 4 lockable twin castors Ø 100 mm
- 3 shelves
- 1 shelf with handle at the side
- 1 drawer
- 1 keyboard drawer with mousepad (left / right)
- 1 monitor crossbeam with tilt and swivel monitor holder, universal, with VESA 75 / 100 adaptation up to 14 kg / 30.8 lbs

Installation height: 35 U (1120 mm)
 Load capacity: 180 kg / 396 lbs
 Finish: RAL 7035 light grey powder-coated
 Decorative trims: handles, corners and strips see ¹⁾
 Scope of delivery: assembled

compact-cart video cart

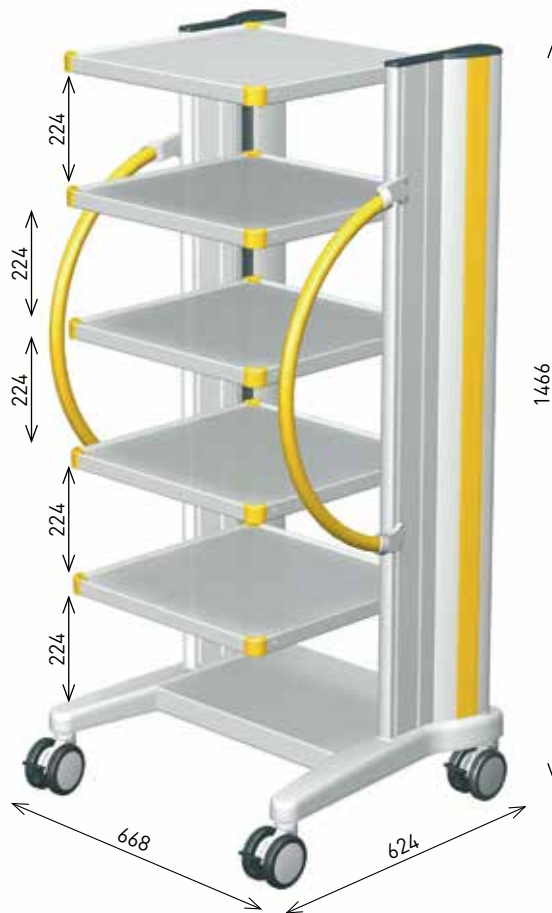
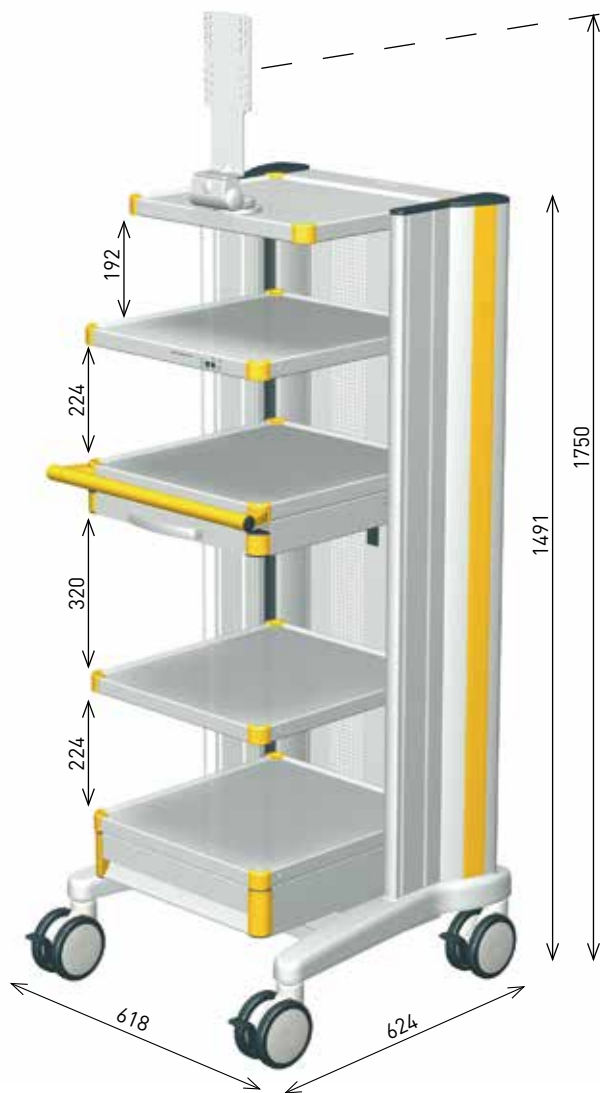
Item number:

Installation width W 650 mm CC.6582.XXX¹⁾

Equipment cart, 35 U (Total height: 1331 mm), fitted with:

- 1 basic frame „Profi“ with 4 lockable twin castors Ø 125 mm
- 2 shelves
- 1 shelf with handle, front
- 1 drawer
- 1 monitor crossbeam with tilt and swivel monitor holder, universal, with VESA 75 / 100 adaptation up to 14 kg / 30.8 lbs
- 1 socket strip, Schuko, 8-way, with on/off switch

Installation height: 35 U (1120 mm)
 Load capacity: 180 kg / 396 lbs
 Finish: RAL 7035 light grey powder-coated
 Decorative trims: handle, corners and strips see ¹⁾
 Scope of delivery: assembled



compact-cart video cart

Item number:

Installation width W 450 mm VT.4510.XXX¹⁾

Equipment cart, 40 U (Total height: 1491 mm), fitted with:

- 1 basic frame „Profi“ with 4 lockable twin castors Ø 125 mm
- 3 shelves
- 1 shelf with handle, front
- 1 drawer
- 1 keyboard drawer with mousepad (left / right)
- 1 monitor shelf with tilt and swivel monitor holder, universal, with VESA 75 / 100 adaptation up to 14 kg / 30.8 lbs
- 1 isolating transformer 2000 VA with insulation monitor
- 1 rear doors set

Installation height: 40 U (1280 mm)
 Load capacity: 180 kg / 396 lbs
 Finish: RAL 7035 light grey powder-coated
 Decorative trims: handles, corners and strips see ¹⁾
 Scope of delivery: assembled

compact-cart video cart

Item number:

Installation width W 500 mm CC.5081.XXX¹⁾

Equipment cart, 40 U (Total height: 1466 mm), fitted with:

- 1 basic frame „Profi“ with 4 lockable twin castors Ø 100 mm
- 5 shelves
- 2 vertical round handles, front

Installation height: 40 U (1280 mm)
 Load capacity: 180 kg / 396 lbs
 Finish: RAL 7035 light grey powder-coated
 Decorative trims: handles, corners and strips see ¹⁾
 Scope of delivery: assembled

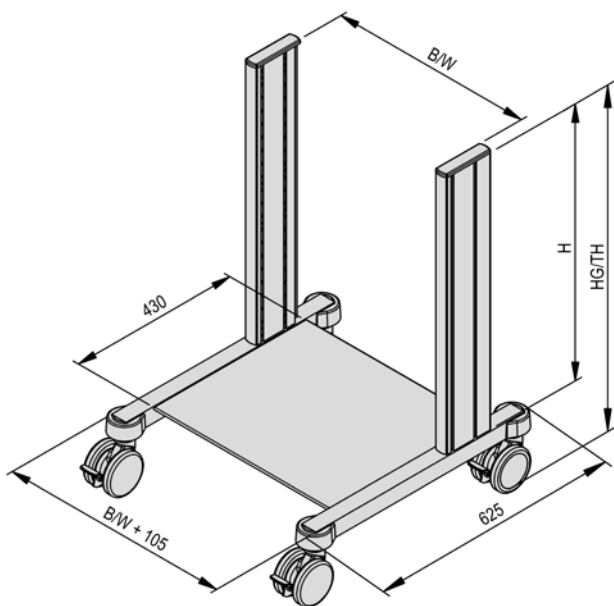
BASIC FRAME compact-cart

Basic frame compact-cart „Economy“

The basic frame for the „Economy“ compact-cart meets the requirements of a functional, mobile equipment cart and is characterised by extreme rigidity. The design of the base also offers an optimum ratio of storage area to work area. Smaller quantities of cables can be easily accommodated in the vertical extrusions. Four lockable twin castors (Ø 100 mm) ensure high comfort while in motion and secure operational fixture.

- Load capacity: 150 kg / 330 lbs
- Material: steel / aluminium
- Finish: RAL 7035 light grey powder-coated
- Scope of delivery: 1 basic frame „Economy“, assembled

compact-cart



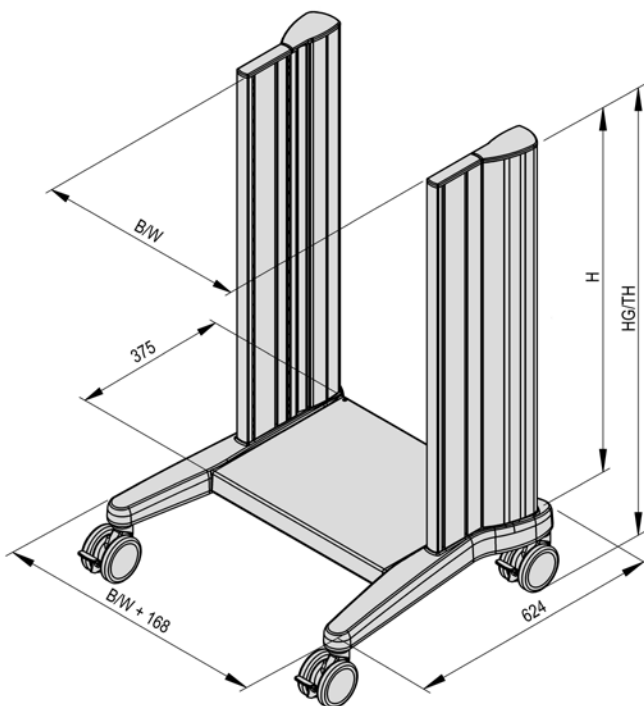
| Installation height H | Total height TH | Castors Ø | Item number W 450 mm | Item number W 500 mm |
|--|-----------------|-----------|-------------------------|-------------------------|
| 21 U (672 mm) | 842 mm | 100 mm | EB.4502.991 | EB.5002.991 |
| 30 U (960 mm) | 1130 mm | 100 mm | EB.4503.991 | EB.5003.991 |
| 35 U (1120 mm) | 1290 mm | 100 mm | EB.4504.991 | EB.5004.991 |
| 40 U (1280 mm) | 1450 mm | 100 mm | EB.4505.991 | EB.5005.991 |
| Counterweight set (on the base crossbeam) | | | HA.2094.991 | HA.2094.991 |

BASIC FRAME compact-cart

Basic frame compact-cart „Profi“

The two spacious power columns on the basic „Profi“ compact-cart frame offer an enhanced capacity for the separate installation of larger numbers of power and data cables and socket strips. Optionally, a powerful isolating transformer can be mounted under the base crossbeam. This guarantees secure electrification and effective cable management. Integrated decorative trims can be colour matched to the equipment or the corporate identity. Four lockable twin castors (Ø 100 mm) ensure high comfort while in motion and secure operational fixture.

| | |
|--------------------|-----------------------------------|
| Load capacity: | 180 kg / 396 lbs |
| Material: | steel / aluminium |
| Finish: | RAL 7035 light grey powder-coated |
| Decorative trims: | see ¹⁾ |
| Scope of delivery: | 1 basic frame „Profi“, assembled |



compact-cart

| Installation height H | Total height TH | Castors Ø | Item number W 450 mm | Item number W 500 mm | Item number W 650 mm |
|---|-----------------|-----------|---------------------------|---------------------------|---------------------------|
| 30 U (960 mm) | 1146 mm | 100 mm | CC.4503.XXX ¹⁾ | CC.5003.XXX ¹⁾ | CC.6503.XXX ¹⁾ |
| 35 U (1120 mm) | 1306 mm | 100 mm | CC.4504.XXX ¹⁾ | CC.5004.XXX ¹⁾ | CC.6504.XXX ¹⁾ |
| 40 U (1280 mm) | 1466 mm | 100 mm | CC.4505.XXX ¹⁾ | CC.5005.XXX ¹⁾ | CC.6505.XXX ¹⁾ |
| Counterweight set (under the base crossbeam) | | | ZV.9511.999 | ZV.9511.999 | ZV.9511.999 |

BASIC FRAME compact-cart

Castor conversion kit for compact-cart

For further requirements – as conversion kit instead of the specified standard design – the following castors are offered:

Scope of delivery: 1 castor conversion kit, 4 castors, each with wheel lock. Factory assembly only

| Castor conversion kit | Instead of standard | Item number |
|-----------------------|----------------------|--------------------|
| Ø 100 mm, conductive | Ø 100 mm | ZV.9428.999 |
| Ø 125 mm, conductive | Ø 100 mm | ZV.9923.999 |
| Ø 125 mm, conductive | Ø 100 mm, conductive | ZV.9924.999 |
| Wall protector | | ZV.9964.999 |

Rear doors set for the basic frame compact-cart „Profi“

The lockable rear doors offer optimum protection against unauthorised access to the devices at the back and are also visually and hygienically the perfect solution. The large opening angle of the doors of 135 ° provides unobstructed access to the equipment during installation and service work. If required, the doors can also be easily unhooked. The perforation in the rear doors allows the air to pass through and also prevents the high-quality, medical devices from overheating.

Material: steel
 Finish: RAL 7035 light grey powder-coated
 Scope of delivery: 1 rear doors set, pre-assembled



| Installation height | Item number W 450 mm | Item number W 500 mm | Item number W 650 mm |
|---------------------|----------------------|----------------------|----------------------|
| 30 U (960 mm) | CC.4560.991 | CC.5060.991 | CC.6560.991 |
| 35 U (1120 mm) | CC.4561.991 | CC.5061.991 | CC.6561.991 |
| 40 U (1280 mm) | CC.4562.991 | CC.5062.991 | CC.6562.991 |

Cable and hose passage for the basic frame compact-cart

The cable and hose passage can be used for trolleys with widths of 450, 500 and 650 mm in conjunction with doors only on trolleys with heights of 35 U and 40 U.

Installation height: 5 U (160 mm)
 Finish: RAL 7035 light grey powder-coated
 Scope of delivery: 1 cable and hose passage, factory assembly only



| Designation | Item number W 450 mm | Item number W 500 mm | Item number W 650 mm |
|------------------------|----------------------|----------------------|----------------------|
| Cable and hose passage | CC.4575.991 | CC.5075.991 | CC.6575.991 |

ISOLATING TRANSFORMER compact-cart

Isolating transformer for compact-cart

The isolating transformer is used to reduce the dangers for patients and professionals posed by leakage by providing insulation to the network. Single-fault protection and potential-free voltage supply is guaranteed by the use of the isolating transformer. This allows a constant power supply to electro-medical equipment and a safe patient environment. The isolation transformer is fitted below the base crossbeam. The isolating transformers are also available with the option of an insulation monitor.

| | |
|------------------------------------|---|
| Power: | 1200 VA / 1600 VA / 2000 VA |
| Input-/ Output voltage: | 1200 VA / 1600 VA: 115 V / 115 V or 230 V / 230 V, 50 Hz / 60 Hz - switchable, 2000 VA: 230 V / 230 V, 50 Hz / 60 Hz |
| Power input: | IEC 320 EURO input for use of country-specific power cables |
| Design: | toroidal transformer |
| Conditionally short circuit proof: | in conformity with IEC 742 and IEC 601-1 |
| Inrush current limitation: | electronically regulated on nominal current |
| Safety class: | 1 |
| Insulation voltage: | PRI – Earth: 1500 V, SEC – Earth: 1500 V, PRI – SEC: 4000 V |
| Fuse protection: | primary 2-phase with micro fuse |
| Test: | CE labelling, NRTL-approval for 1600 VA and 1600 VA with insulation monitor |
| Protection class: | IP20 |
| Material: | steel / copper |
| Finish: | RAL 7035 light grey powder-coated |
| Installation: | under the base crossbeam |
| Scope of delivery: | 1 isolating transformer 1200 VA, 1600 VA or 2000 VA, fitted with: on/off switch; power cable earthed Schuko 5m; 2x4-way equipotential bonding connectors IEC320; plug removal barrier; insulation monitor (depending on type); pre- assembled. In case of ordering insulation monitor and integration of on/off switch in the power column - factory assembly only. |

Insulation monitor ELG (Earth Leakage Guard) including temperature monitoring

Insulation monitor gives out a visual and acoustic signal and the light-emitting diode and sound indicate that there is a critical fall in the isolation resistance of the whole system. This system does not replace the recommended regular tests and maintenance of those devices that are connected.

| | |
|---------------------------|--|
| Operate value: | 53 kOhm \pm 5% |
| Test resistance: | 33 kOhm |
| Input voltage: | 150 V / 230 VAC \pm 15%, 50 Hz / 60 Hz |
| AC internal resistance: | 220 kOhm |
| DC internal resistance: | 320 kOhm |
| Measuring direct voltage: | 12 V \pm 0,3 V |
| Max. measuring current: | < 0,5 mA |
| Max. external DC voltage: | 250 V DC |



| Isolating transformer for compact-cart | Item number without insulation monitor | Item number with insulation monitor |
|---|---|--|
| Isolating transformer, Power 1200 VA | ZV.9358.999 | ZV.9359.999 |
| Isolating transformer, Power 1600 VA | ZV.9362.999 | ZV.9363.999 |
| Isolating transformer, Power 2000 VA | ZV.9360.999 | ZV.9361.999 |
| On / Off switch integrated in the power column | | CC.0337.999 |

SOCKET STRIPS compact-cart

EURO socket strip for compact-cart

Ratings: 10 A / 250 VAC
 Installation: in the power columns
 Scope of delivery: 1 EURO socket strip including mounting hardware



| Description | Connection cable | Standard | Item number |
|---|------------------|----------|--------------------|
| ① 6-way, with external earthing contact | without | IEC 320 | ZV.9562.999 |
| ② 8-way, with external earthing contact | without | IEC 320 | ZV.9377.999 |

The corresponding connection cable must be ordered separately and can be found in the Chapter Accessories.

Socket strips Schuko for compact-cart

Ratings: 16 A / 250 VAC
 Installation: in the power columns
 Scope of delivery: 1 socket strip Schuko including mounting hardware



| Designation | Connection cable | Standard | Item number |
|--|------------------|----------------|--------------------|
| ① 6-way, with earthing contact | 5 m | DIN VDE 0620-1 | ZV.9563.999 |
| ② 8-way, with earthing contact | 5 m | DIN VDE 0620-1 | ZV.9564.999 |
| ③ 8-way, with on/off switch and earthing contact | 5 m | DIN VDE 0620-1 | ZV.9565.999 |
| ④ 8-way, with on/off switch in the power column, factory assembly only | 5 m | DIN VDE 0620-1 | ZV.9566.999 |

Socket strip French Standard for compact-cart

Ratings: 16 A / 250 VAC
 Installation: in the power columns
 Scope of delivery: 1 socket strip French Standard including mounting hardware



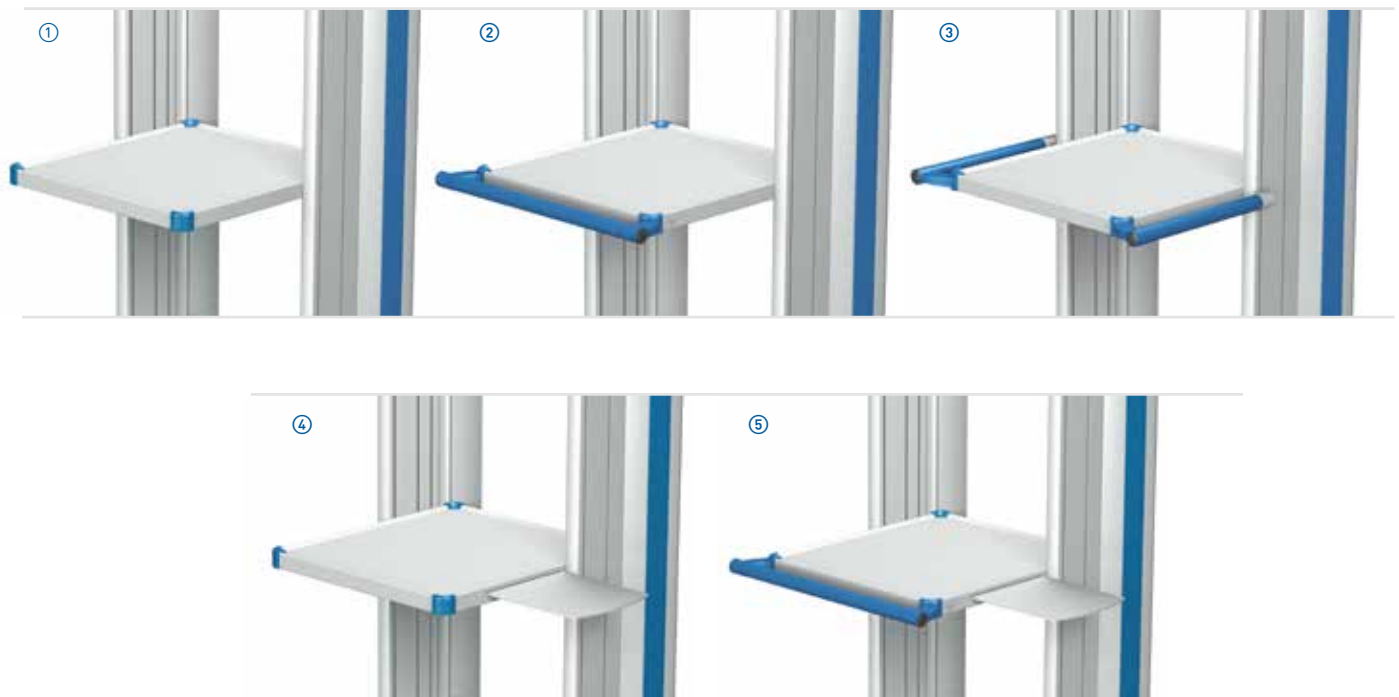
| Designation | Connection cable | Standard | Item number |
|---|------------------|-----------|--------------------|
| Socket strip French Standard, 6-way, with external earthing contact | 5 m | CEE7, UTE | ZV.9567.999 |

SHELVES compact-cart

Shelves for compact-cart

The shelves for the compact-cart are characterised by being spacious, with raised edges and rounded decorative corners. The low installation height saves space and creates valuable space for other system components. The shelves are available with various features such as handles or a mousepad. The integrated mousepad is extendable to the right and to the left. The handles are available in different colours.

| | |
|----------------------|--|
| Installation height: | 1 U (32 mm) |
| Dimensions: | W 450 mm: 450 mm x 491 mm (W x D); W 500 mm: 500 mm x 491 mm (W x D); W 650 mm: 650 mm x 491 mm (W x D) |
| Usable area: | W 450 mm: 406 mm x 447 mm (W x D); W 500 mm: 456 mm x 447 mm (W x D); W 650 mm: 606 mm x 447 mm (W x D) |
| Load capacity: | 50 kg / 110 lbs distributed load |
| Material: | steel / aluminium |
| Finish: | RAL 7035 light grey powder-coated |
| Decorative trims: | handles and corners see ¹⁾ |
| Installation: | in the T-slots of vertical extrusion |
| Scope of delivery: | 1 shelf including mounting hardware, pre-assembled |



| Designation | Item number W 450 mm | Item number W 500 mm | Item number W 650 mm |
|----------------------------------|---------------------------|---------------------------|---------------------------|
| ① Shelf | CC.4520.XXX ¹⁾ | CC.5020.XXX ¹⁾ | CC.6520.XXX ¹⁾ |
| ② Shelf with handle | CC.4521.XXX ¹⁾ | CC.5021.XXX ¹⁾ | CC.6521.XXX ¹⁾ |
| ③ Shelf with handles at the side | CC.4524.XXX ¹⁾ | CC.5024.XXX ¹⁾ | CC.6524.XXX ¹⁾ |
| ④ Shelf with mousepad | CC.4522.XXX ¹⁾ | CC.5022.XXX ¹⁾ | CC.6522.XXX ¹⁾ |
| ⑤ Shelf with handle and mousepad | CC.4523.XXX ¹⁾ | CC.5023.XXX ¹⁾ | CC.6523.XXX ¹⁾ |

SHELVES compact-cart

Shelf depth of 320 mm for compact-cart

This shelf is space-saving and suitable for accommodating small, medical devices or monitors.

- Installation height: 1 U (32 mm)
- Dimensions: W 450 mm: 450 mm x 320 mm (W x D); W 500 mm: 500 mm x 320 mm (W x D);
W 650 mm: 650 mm x 320 mm (W x D)
- Usable area: W 450 mm: 406 mm x 276 mm (W x D); W 500 mm: 456 mm x 276 mm (W x D);
W 650 mm: 606 mm x 276 mm (W x D)
- Load capacity: 50 kg / 110 lbs distributed load
- Material: steel / aluminium
- Finish: RAL 7035 light grey powder-coated
- Decorative trims: corners see ¹⁾
- Installation: in the T-slots of vertical extrusion
- Scope of delivery: 1 shelf including mounting hardware, pre-assembled



| Designation | Item number W 450 mm | Item number W 500 mm | Item number W 650 mm |
|--------------------|---------------------------|---------------------------|---------------------------|
| Shelf depth 320 mm | CC.4528.XXX ¹⁾ | CC.5028.XXX ¹⁾ | CC.6528.XXX ¹⁾ |

Flat shelf for compact-cart

The flat shelf has no round raised edge so printer paper drawers can be left open without any problem and also offers a larger working area.

- Installation height: 1 U (32 mm)
- Dimensions: W 450 mm: 450 mm x 491 mm (W x D); W 500 mm: 500 mm x 491 mm (W x D);
W 650 mm: 650 mm x 491 mm (W x D)
- Usable area: W 450 mm: 450 mm x 491 mm (W x D); W 500 mm: 500 mm x 491 mm (W x D);
W 650 mm: 650 mm x 491 mm (W x D)
- Load capacity: 30 kg / 66 lbs distributed load
- Material: steel / aluminium
- Finish: RAL 7035 light grey powder-coated
- Decorative trims: corners see ¹⁾
- Installation: in the T-slots of vertical extrusion
- Scope of delivery: 1 shelf including mounting hardware, pre-assembled



| Designation | Item number W 450 mm | Item number W 500 mm | Item number W 650 mm |
|-------------|---------------------------|---------------------------|---------------------------|
| Flat shelf | CC.4526.XXX ¹⁾ | CC.5026.XXX ¹⁾ | CC.6526.XXX ¹⁾ |

SHELVES compact-cart

Extendable shelf for compact-cart

The extendable shelf provides quick access to your equipment for assembly and servicing. It can also be used as a keyboard shelf. The shelf extends to 265 mm and allows easy access from all sides to other attached devices. Locking point stops fix the shelf in position when it is extended or closed. The handle attached to the front allows the user to move the shelf forwards and backwards.

Installation height: 1,5 U (48 mm)
 Dimension: W 450 mm: 450 mm x 491 mm (W x D); W 500 mm: 500 mm x 491 mm (W x D);
 W 650 mm: 650 mm x 491 mm (W x D)
 Usable area: W 450 mm: 386 mm x 486 mm (W x D); W 500 mm: 436 mm x 486 mm (W x D);
 W 650 mm: 586 mm x 486 mm (W x D)
 Load capacity: 20 kg / 44 lbs distributed load
 Material: steel / aluminium
 Finish: RAL 7035 light grey powder-coated
 Decorative trims: corners see ¹⁾
 Installation: in the T-slots of vertical extrusion
 Scope of delivery: 1 shelf including mounting hardware, pre-assembled



| Designation | Item number W 450 mm | Item number W 500 mm | Item number W 650 mm |
|------------------|---------------------------|---------------------------|---------------------------|
| Extendable shelf | CC.4533.XXX ¹⁾ | CC.5033.XXX ¹⁾ | CC.6533.XXX ¹⁾ |

Base shelf for compact-cart

The base shelf provides a cost-effective option, e.g. for placing printers directly on the base of the equipment cart.

Installation height: 1 U (32 mm)
 Dimensions: W 450 mm: 450 mm x 490 mm (W x D); W 500 mm: 500 mm x 490 mm (W x D);
 W 650 mm: 650 mm x 490 mm (W x D)
 Usable area: W 450 mm: 446 mm x 488 mm (W x D); W 500 mm: 496 mm x 488 mm (W x D);
 W 650 mm: 646 mm x 488 mm (W x D)
 Load capacity: 20 kg / 44 lbs distributed load
 Material: steel / aluminium
 Finish: RAL 7035 light grey powder-coated
 Installation: in the T-slots of vertical extrusion
 Scope of delivery: 1 shelf including mounting hardware, pre-assembled



| Designation | Item number W 450 mm | Item number W 500 mm | Item number W 650 mm |
|-------------|-------------------------|-------------------------|-------------------------|
| Base shelf | CC.4567.991 | CC.5067.991 | CC.6567.991 |

DRAWERS compact-cart

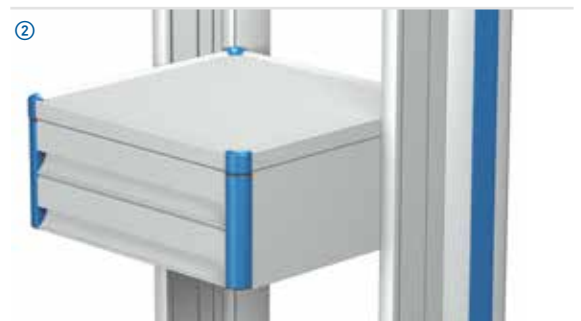
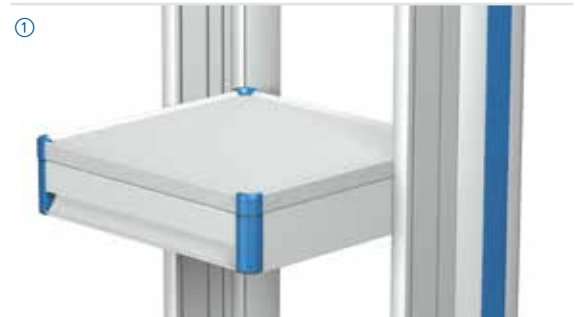
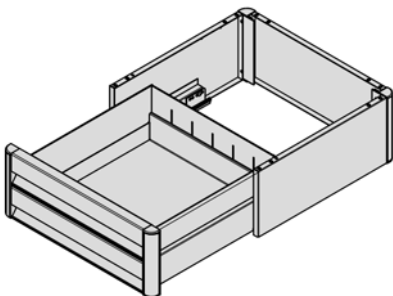
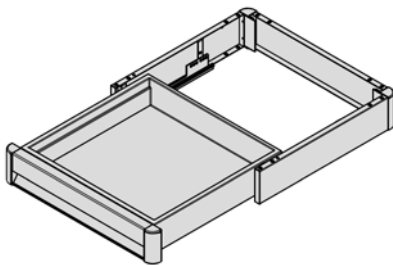
Drawers for compact-cart

The compact-cart drawers are characterised by providing a large storage space and a smooth removable inner body. The drawer is fitted with a mechanical single locking lever that ensures that the drawer cannot open abruptly when approaching a threshold. Drawers are available in different designs with handles or a mousepad. The integrated mousepad is extendable to the right and to the left.

| | |
|--------------------|--|
| Dimensions: | W 450 mm: 450 mm x 491 (W x D); W 500 mm: 500 mm x 491 (W x D); W 650 mm: 650 mm x 491 mm (W x D) |
| Interior area: | Drawer: B 450 mm: 360 mm x 400 mm x 85 mm (W x D x H) B 500 mm: 410 mm x 400 mm x 85 mm (W x D x H) B 650 mm: 510 mm x 400 mm x 85 mm (W x D x H) Drawer high: B 450 mm: 360 mm x 400 mm x 180 mm (W x D x H) B 500 mm: 410 mm x 400 mm x 180 mm (W x D x H) B 650 mm: 510 mm x 400 mm x 180 mm (W x D x H) |
| Load capacity: | 3 kg / 6.6 lbs distributed load |
| Material: | steel / plastic |
| Finish: | RAL 7035 light grey powder-coated |
| Decorative trims: | handles and corners see ¹⁾ |
| Installation : | in the T-slots of vertical extrusion |
| Scope of delivery: | 1 drawer including mounting hardware, pre-assembled |

**You always require a shelf of corresponding width as the top cover for the drawer.
This is NOT included in the scope of delivery.**

compact-cart



| Designation | Installation height | Item number W 450 mm | Item number W 500 mm | Item number W 650 mm |
|------------------------|---------------------|---------------------------|---------------------------|---------------------------|
| ① Drawer | 3 U (96 mm) | CC.4540.XXX ¹⁾ | CC.5040.XXX ¹⁾ | CC.6540.XXX ¹⁾ |
| ② Drawer, 1 unit, high | 6 U (192 mm) | CC.4541.XXX ¹⁾ | CC.5041.XXX ¹⁾ | CC.6541.XXX ¹⁾ |

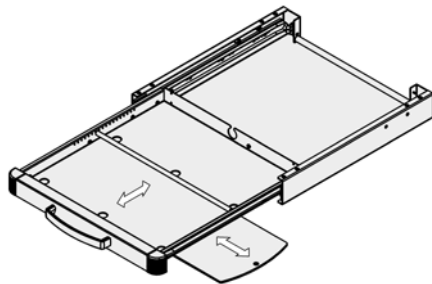
Lock on request

KEYBOARD DRAWER / HANDLE compact-cart

Keyboard drawer with mousepad (left / right) for compact-cart

The keyboard drawer is characterised by being extendable to 345 mm allowing two small keyboards to be placed next to each other. An installation width of 450 mm allows for a keyboard with a maximum width of 407 mm while an installation width of 500 mm allows for a keyboard with a maximum width of 457 mm and an installation width of 650 mm allows for a keyboard with a maximum width of 607 mm. The keyboard is prevented from slipping by an adjustable strut.

Installation height: 2 U (64 mm)
 Load capacity: 5 kg / 11 lbs distributed load
 Material: steel
 Finish: RAL 7035 light grey powder-coated
 Decorative trims: corners see ¹⁾
 Installation: in the T-slots of vertical extrusion
 Scope of delivery: 1 keyboard drawer including mounting hardware, pre-assembled

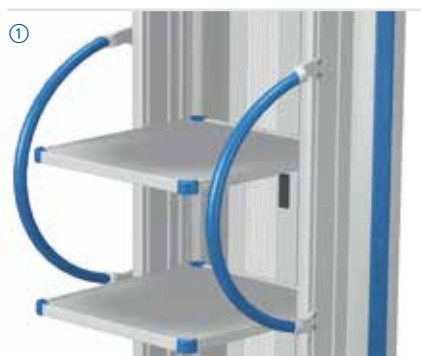


| Designation | Item number W 450 mm | Item number W 500 mm | Item number W 650 mm |
|--|---------------------------|---------------------------|---------------------------|
| Keyboard drawer with mousepad (left / right) | CC.4550.XXX ¹⁾ | CC.5050.XXX ¹⁾ | CC.6550.XXX ¹⁾ |

Push handles for compact-cart

As an option either vertical rounded handles can be fitted at the front or rear of the compact-cart. The handles make manoeuvring loaded equipment carriers easier and also offer an additional design feature. The vertical round handles at the front cannot be combined with a shelf with a mousepad.




Material: aluminium
 Finish: RAL 7035 light grey powder-coated
 Decorative trims: Vertical rounded handles, front: tube see ¹⁾
 Installation: Push handles, rear: on the rear side of power column; vertical rounded handles, front: on the outside T-slots of the vertical extrusions, variable height adjustment.
 Scope of delivery: Vertical handles, front: 2 vertical rounded handles incl. mounting hardware, pre-assembled;
 Push handles, rear: 2 handles, factory assembly only



| Designation | Item number |
|-----------------------------------|---------------------------|
| ① Vertical rounded handles, front | FC.0217.XXX ¹⁾ |
| ② Push handle, rear | FC.0215.991 |

MONITOR HOLDERS compact-cart

Monitor holders for compact-cart

| Installation | On the crossbeam | | | |
|--------------------------|---|-----------------------------|-----------------------------|-----------------------------|
| |  <p>± 20° tilt ± 170° swivel</p> | | | |
| VESA 75 / 100 | Monitor weight (kg / lbs) | Item number W 450 mm | Item number W 500 mm | Item number W 650 mm |
| | 0-14 / 0-30.8 lbs | CC.4577.991 | CC.5077.991 | CC.6577.991 |
| | 14-18 / 30.8-39.6 lbs | CC.4578.991 | CC.5078.991 | CC.6578.991 |
| |  <p>± 15° tilt ± 35° swivel</p> | | | |
| VESA 75 / 100 universal | Monitor weight | Item number W 450 mm | Item number W 500 mm | Item number W 650 mm |
| | 0-14 kg / 0-30.8 lbs | CC.4532.991 | CC.5032.991 | CC.6532.991 |
| |  <p>± 15° tilt ± 35° swivel</p> | | | |
| VESA 75 / 100 adjustable | Monitor weight | Item number W 450 mm | Item number W 500 mm | Item number W 650 mm |
| | 0-14 kg / 0-30.8 lbs | CC.4566.991 | CC.5066.991 | CC.6566.991 |

Installation height: 1 U (32 mm)
 Material: steel / aluminium
 Finish: RAL 7035 light grey powder-coated
 Scope of delivery: 1 monitor holder including corresponding crossbeam and mounting hardware

compact-cart

MONITOR HOLDERS compact-cart

Monitor holders for compact-cart

| Installation | On the monitor shelf | | | |
|--------------------------|---|-------------------------------------|-------------------------------------|-------------------------------------|
| |  <p>± 20° tilt ± 170° swivel</p> | | | |
| VESA 75 / 100 | Monitor weight (kg / lbs) | Item number W 450 x D 320 mm | Item number W 500 x D 320 mm | Item number W 650 x D 320 mm |
| | 0-14 / 0-30.8 lbs | CC.4583.XXX ¹⁾ | CC.5083.XXX ¹⁾ | CC.6583.XXX ¹⁾ |
| | 14-18 / 30.8-39.6 lbs | CC.4584.XXX ¹⁾ | CC.5084.XXX ¹⁾ | CC.6584.XXX ¹⁾ |
| |  <p>± 15° tilt ± 35° swivel</p> | | | |
| VESA 75 / 100 universal | Monitor weight | Item number W 450 x D 380 mm | Item number W 500 x D 380 mm | Item number W 650 x D 380 mm |
| | 0-14 kg / 0-30.8 lbs | CC.4529.XXX ¹⁾ | CC.5029.XXX ¹⁾ | CC.6529.XXX ¹⁾ |
| |  <p>± 15° tilt ± 35° swivel</p> | | | |
| VESA 75 / 100 adjustable | Monitor weight | Item number W 450 x D 380 mm | Item number W 500 x D 380 mm | Item number W 650 x D 380 mm |
| | 0-14 kg / 0-30.8 lbs | CC.4565.XXX ¹⁾ | CC.5065.XXX ¹⁾ | CC.6565.XXX ¹⁾ |

Installation height: 1 U (32 mm)
 Material: steel / aluminium
 Finish: RAL 7035 light grey powder-coated
 Decorative trims: corners see ¹⁾
 Scope of delivery: 1 monitor holder including corresponding monitor shelf and mounting hardware